

GCnv2 - Rs422/Rs232 converter with SMPS

Datasheet



fig1: GcNv2 photo

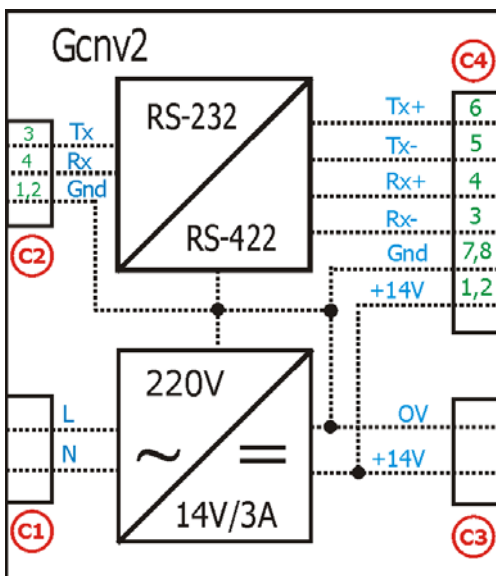


fig2: GcNv2 block diagram

Pin No	Signal	Description
1	+14V	Supply voltage for external devices
2	+14V	Supply voltage for external devices
3	rx-	Receive, negative
4	rx+	Receive, positive
5	tx-	Transmit, negative
6	tx+	Transmit, positive
7	Gnd	Return of the supply voltage
8	Gnd	Return of the supply voltage

table1: C4 – Rs-422/RS-485 connector

Pin No	Signal	Description
1	Gnd	Ground Receive.
2	Gnd	Ground
3	Rx	Please connect to tx of the host.
4	Tx	Transmit. Please connect to rx of the host.

table2: C2 – Rs-232 connector

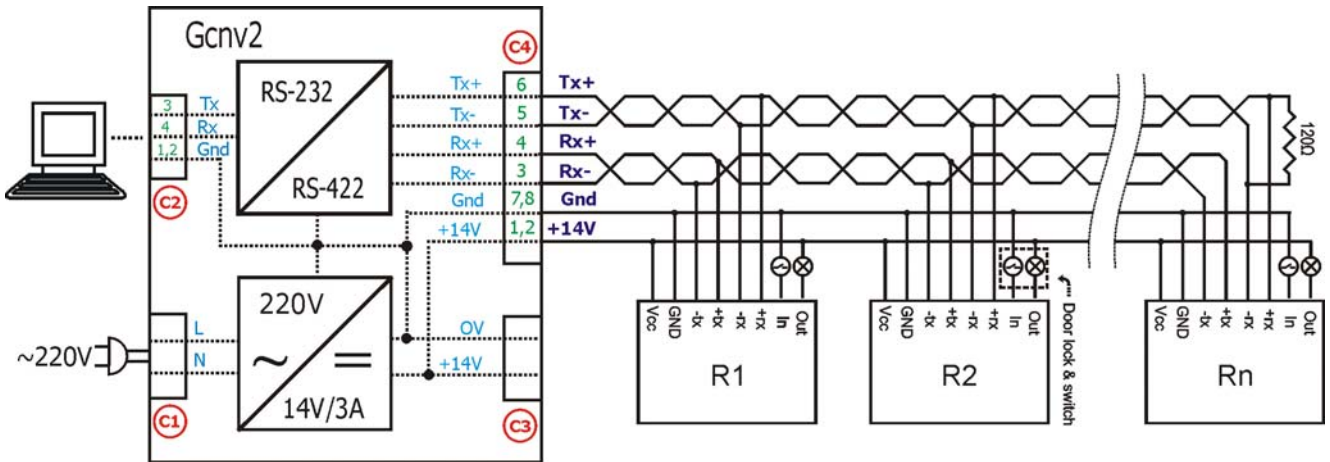


fig3: GCnv2 sample connection diagram

Parameter	Description
Host/GCnv2 comm.	Rs-232
Terminals/GCnv2 comm.	Rs-422 or Rs-485
Supply Voltage	AC 100V - 220 V
SMPS operating frequency	100 kHz Flyback
Voltage/Current	Delivers DC 14V/3A to the connected terminals
Power Consumption	2 W
Dimensions	118 x 67 x 47 mm
Weight	0.5 kg
Temperature range	-20 °C ÷ +80 °C

table3: GCnv2 – technical specifications