

GTcpIp – Ethernet to Rs-485 converter with SMPS

Datasheet



fig 1: GTcpIp photo

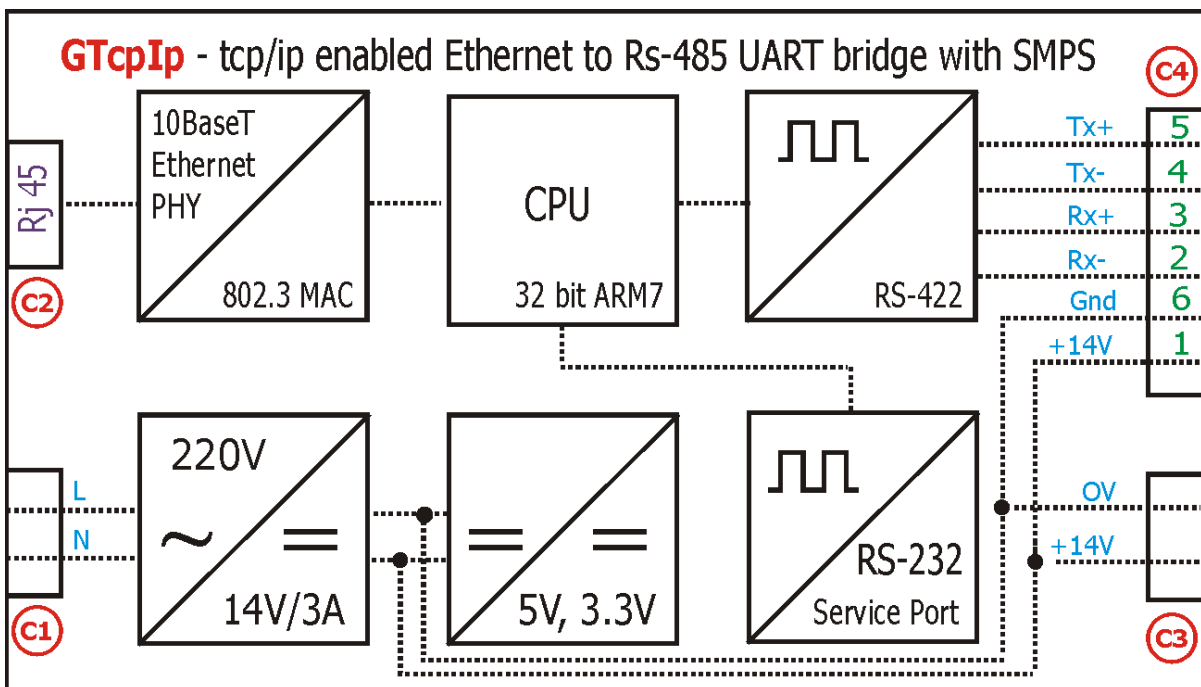


fig 2: GTcpIp block diagram

Pin No	Signal	Description
1	+14V	Supply voltage for external devices
2	rx-	Receive, negative
3	rx+	Receive, positive
4	tx-	Transmit, negative
5	tx+	Transmit, positive
6	Gnd	Return of the supply voltage

Table 1: C4 – Rs-422/Rs-485 connector

Pin No	Signal	Description
1	Tx+	Transmit data +
2	Tx-	Transmit data -
3	Rx+	Receive data +
4	Nc	Not connection
5	Nc	Not connection
6	Rx-	Receive data -
7	Nc	Not connection
8	Nc	Not connection

Table 2: C2 – Rj45 Ethernet 10BaseT connector

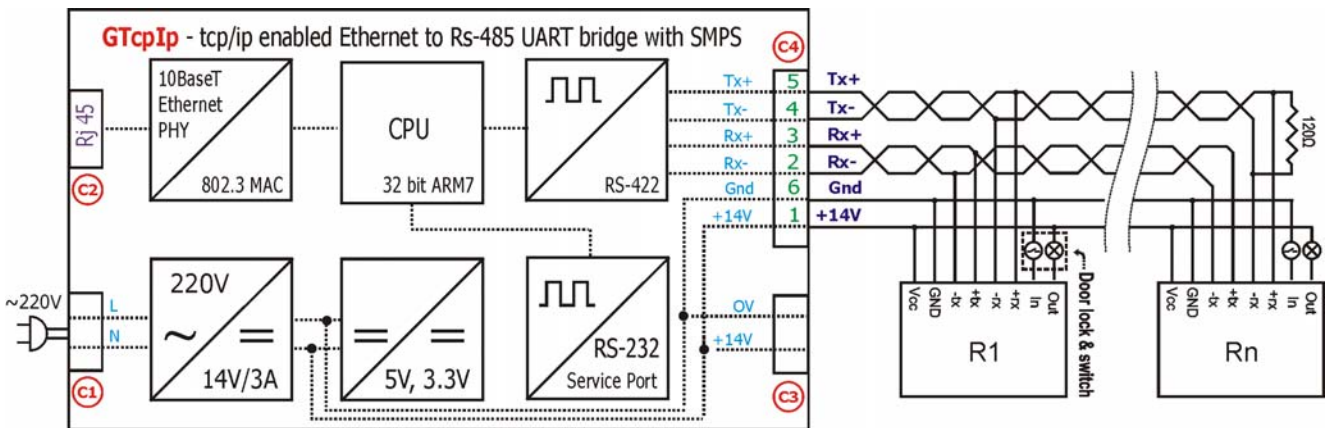


fig 3: GTcpIp sample connection diagram

Parameter	Description
Remote communication	Ethernet IEE 802.3 10BaseT
Terminals/GCnv2 comm.	Rs-422 or Rs-485
Supply Voltage	AC 100V - 220 V
SMPS operating frequency	100 kHz Flyback
Voltage/Current	Delivers DC 14V/3A to the connected terminals
Power Consumption	2 W
Dimensions	118 x 67 x 47 mm
Weight	0.5 kg
Temperature range	-20 °C ÷ +80 °C

Table 3: GTcpIp – technical specifications